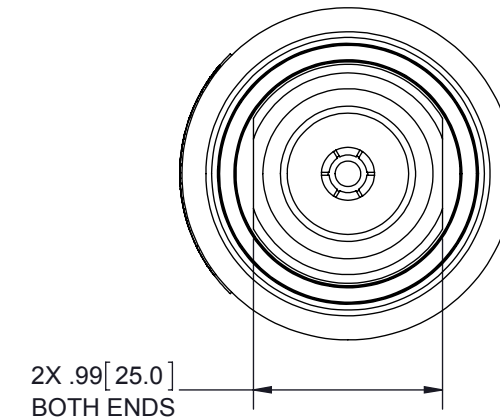
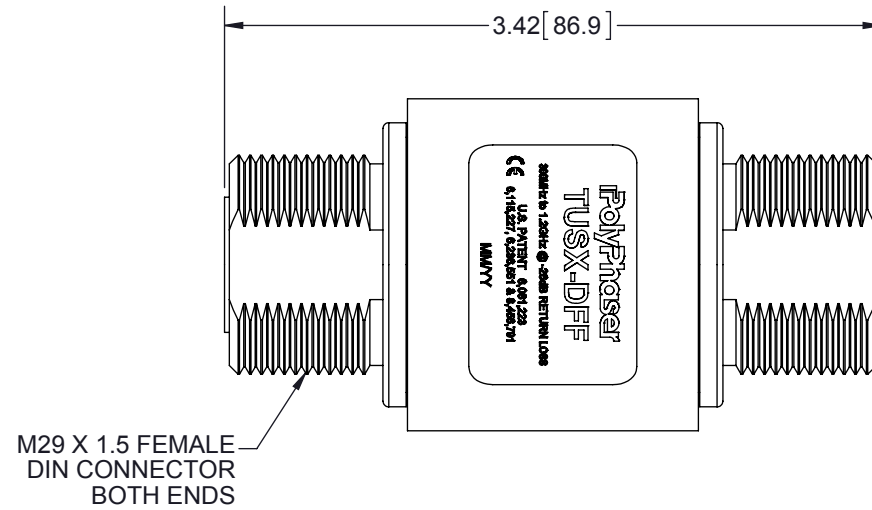
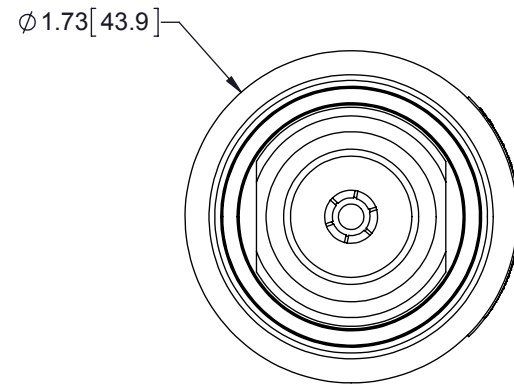


REVISIONS				
REV.	DESCRIPTION	ECN	DATE	APPROVED
F	REFER TO ECN	12840	8/25/2014	JJ



MAXIMUM CHARACTERISTICS

APPLICATION:
 DC SHORT/RF ONLY (NO POWER SUPPLY PROVISIONS)
 BULKHEAD MOUNT BI-DIRECTIONAL
 WEATHERPROOF WHEN INSTALLED

FREQUENCY RANGE:
 300MHz TO 1.2GHz @ -26dB RETURN LOSS

MAX SURGE:
 IEC 61000-4-5 8/20µs WAVEFORM
 30kA MULTIPLE STRIKES
 40kA ONE TIME

INSERTION LOSS:
 ≤0.1dB

CONTINUOUS POWER:
 1kW @ 920MHz
 2.5kW @ 400MHz

LET THROUGH VOLTAGE:
 ≤±200mV FOR 3kA @ 8/20µs WAVEFORM

THROUGHPUT ENERGY:
 ≤5nJ FOR 3kA @ 8/20µs WAVEFORM

PIM 3rd ORDER:
 <-155dBc (-112dBm); 2 X 20W INPUT

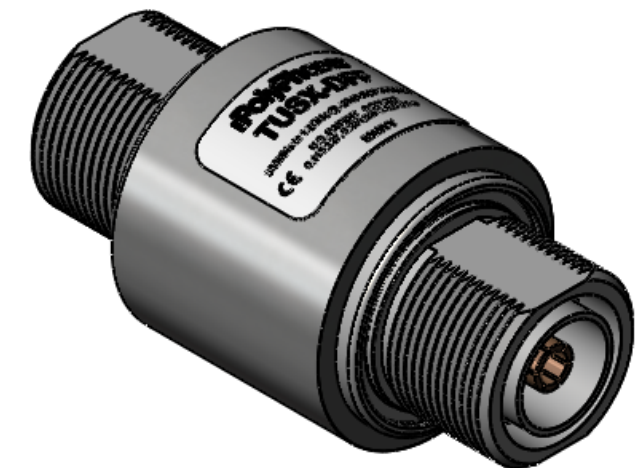
TEMPERATURE:
 -50°C TO +85°C STORAGE/OPERATING

VIBRATION:
 1G @ 5Hz TO 100Hz

MATERIAL:
 BODY: TRI-M3™ PLATING OVER BRASS
 PTFE: DIELECTRIC
 CENTER PINS: Ag PLATED

ENVIRONMENTAL:
 MEETS IEC 60529 IP67 WHEN CONNECTED
 MEETS BELLCORE #TA-NWT-000487
 PROCEDURE 4.11, 120MPH WIND DRIVEN
 RAIN INTRUSION TEST
 CE COMPLIANT
 RoHS COMPLIANT

HARDWARE KIT	
QTY.	DESCRIPTION
1	O-RING 025 SILICONE
1	NUT M29 X 1.5 SST DIN
1	WASHER 1.15ID FLAT SST TYPE 304



CUSTOMER APPROVAL: _____ DATE: _____

ALL DIMENSIONS SHOWN ARE FOR REFERENCE ONLY.

THESE COMMODITIES, TECHNOLOGY OR SOFTWARE WERE EXPORTED FROM THE UNITED STATES IN ACCORDANCE WITH THE EXPORT ADMINISTRATION REGULATIONS. DIVERSION CONTRARY TO U.S. LAW PROHIBITED.

UNLESS OTHERWISE SPECIFIED LEADING DIMENSIONS ARE INCHES DIMENSIONS IN [] ARE MILLIMETERS	DRAWN R. DUNNING	DATE 7/16/10				
	ENG APPD JJ	7/20/10				
TOLERANCES: FRACTIONS=± 1/32 .XX=± .03 ANGLES=± 1° .XXX=± .010	PRODUCT MGR JJ	7/20/10	TITLE 300MHz TO 1.2GHz UHF SX BI-DIR FEM/FEM CUSTOMER SPECIFICATION			
	MARKETING APPD LJ	7/22/10	SIZE B	CAGE 30992	PART NUMBER TUSX-DFF	REV F
MATERIAL NA	PROJECT NO.		SCALE 1:1	PROD CAT RFP	DOCUMENT NAME TUSX-DFF-C	SHEET 1 OF 1
THIRD-ANGLE PROJECTION 	NOTICE: THE INFORMATION AND DESIGN IN THIS DOCUMENT IS THE PROPERTY OF TRANSTECTOR SYSTEMS. ALL RIGHTS RESERVED.					